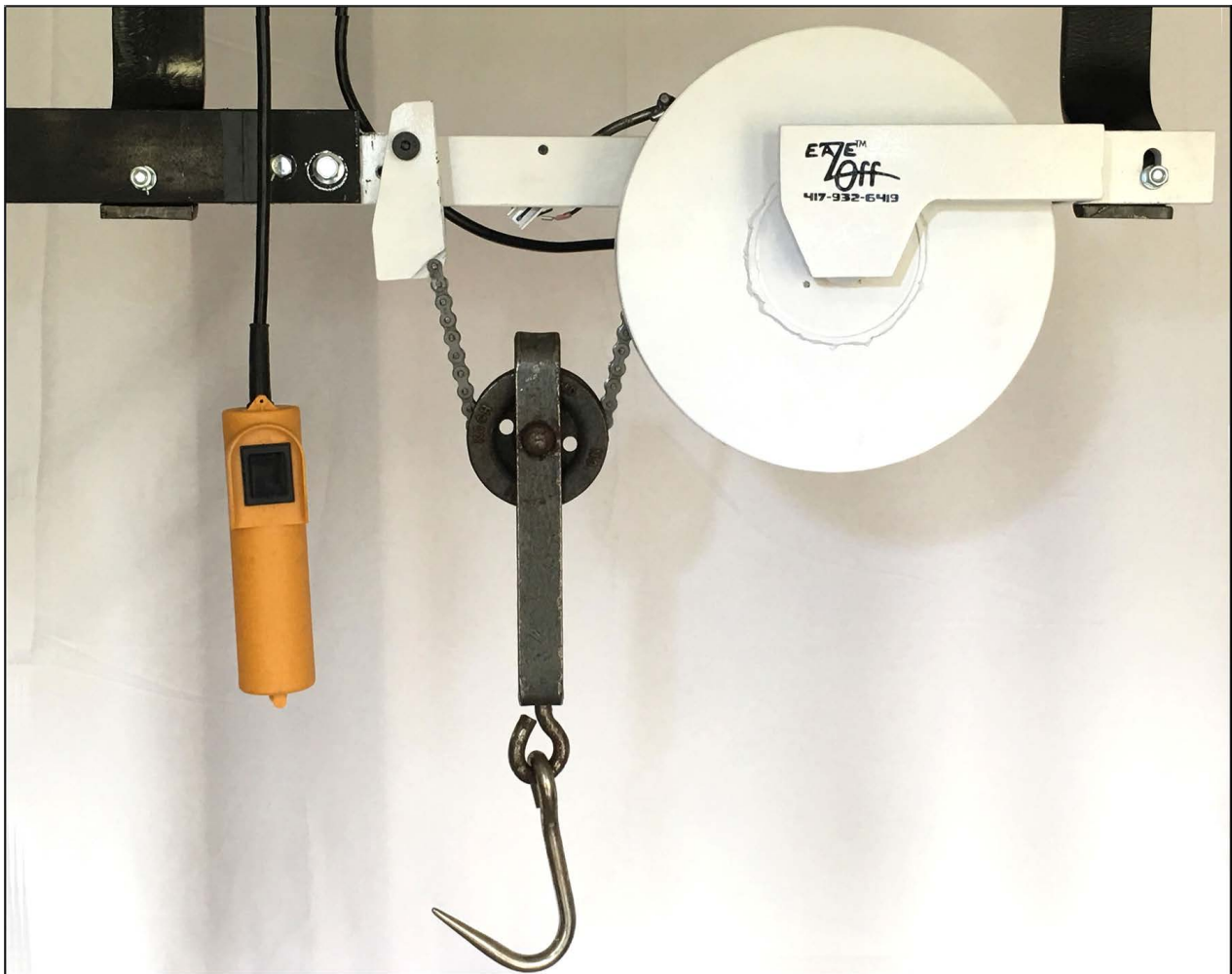


Owner's Manual & Safety Instructions

Save This Manual Keep this manual for the safety warnings and precautions, assembly, operating, inspection, maintenance and cleaning procedures. Write the product's serial number in the back of the manual near the assembly diagram (or month and year of purchase if product has no number). Keep this manual and the receipt in a safe and dry place for future reference.



Remote Controlled Electric Chain Hoist For Use With Overhead Rail Transport Systems



Visit our website at: <http://www.eazeoff.com>
Email our technical support at: support@eazeoff.com

When unpacking, make sure that the product is intact and undamaged. If any parts are missing or broken, please call your sales rep as soon as possible.

Copyright© 2018 by EAZE OFF, L.L.C.. All rights reserved.
No portion of this manual or any artwork contained herein may be reproduced in any shape or form without the express written consent of EAZE OFF, L.L.C. Diagrams within this manual may not be drawn proportionally. Due to continuing improvements, actual product may differ slightly from the product described herein. Tools required for assembly and service may not be included.

⚠ WARNING






**Read this material before using this product.
Failure to do so can result in serious injury.
SAVE THIS MANUAL.**

Table of Contents

Safety	2	Inspection	8
Specifications	5	Parts List and Diagram	10
Installation	5	Warranty	12
Operation	6		

EAZE OFF, L.L.C. Summersville, MO, U.S.A.

WARNING SYMBOLS AND DEFINITIONS

	This is the safety alert symbol. It is used to alert you to potential personal injury hazards. Obey all safety messages that follow this symbol to avoid possible injury or death.
	Indicates a hazardous situation which, if not avoided, will result in death or serious injury.
	Indicates a hazardous situation which, if not avoided, could result in death or serious injury.
	Indicates a hazardous situation which, if not avoided, could result in minor or moderate injury.
	Addresses practices not related to personal injury.

IMPORTANT SAFETY INFORMATION

DANGER

TO PREVENT SERIOUS INJURY AND DEATH:

Basic Safety Information

1. **To Reduce the Risk of Electric Shock or Injury, Use Indoors Only.**
2. **Do not lift more than rated load. Be aware of dynamic loading!** Sudden load movement may briefly create excess load causing product failure.
3. **Do not operate when load is not centered underneath.**
4. **Do not operate hoist with twisted, kinked, or damaged chain.** Inspect chain carefully before every use.
5. **Do not operate a damaged or malfunctioning hoist.** Inspect hoist carefully and test operation before every use.
6. **Do not lift people or lift loads over people.** Falling loads can injure or kill people.
7. **Do not operate with chain not centered in its groove.**
8. **Do not remove or cover warning labels and/or tags.** These carry important safety information.
9. **WARNING:** The cord of this product contains lead and/or di (2-ethylhexyl) phthalate (DEHP), chemicals known to the State of California to cause cancer, and birth defects or other reproductive harm. Wash hands after handling. (California Health & Safety Code § 25249.5, *et seq.*)
10. The warnings, precautions, and instructions discussed in this instruction manual cannot cover all possible conditions and situations that may occur. It must be understood by the operator that common sense and caution are factors which cannot be built into this product, but must be supplied by the operator.

Installation Specific Safety Information

1. The supporting structure the hoist is mounted to (including trolley, monorail, or crane) must be designed to withstand the loads and forces imposed by the hoist for the rated load.
2. Install in location that allows the operator to move and stay clear of the load.
3. Locate pendant controls at a convenient level above the operating floor.

Table A: RECOMMENDED MINIMUM WIRE GAUGE FOR EXTENSION CORDS (120 VOLT)				
NAMEPLATE AMPERES (at full load)	EXTENSION CORD LENGTH			
	25'	50'	100'	150'
6.1 – 10	18	16	14	12

4. USE PROPER EXTENSION CORD. Make sure your extension cord is in good condition. When using an extension cord, be sure to use one heavy enough to carry the current your product will draw. An undersized cord will cause a drop in line voltage resulting in loss of power and overheating. Table A shows the correct size to use depending on cord length and nameplate ampere rating. If in doubt, use the next heavier gauge. The smaller the gauge number, the heavier the cord.
5. Inspect the Eaze Off as explained in Frequent Inspection on page 8 after installation but before use.

Inspection, Testing, and Maintenance Specific Safety Information

1. Perform a "Frequent Inspection" at least monthly, see page 8.
2. Perform a "Periodic (Thorough) Inspection" at least yearly, see page 8.
3. More frequent inspections are needed for hoists that are used heavily.
4. Raise test loads only to the minimum extent needed and stay well clear of load at all times during testing.

Operation Specific Safety Information

1. Wear ANSI-approved safety goggles, ANSI-approved hard hat, and steel-toed work boots during setup and use.
2. This product is not a toy. Do not allow children to play with or near this item.
3. Use as intended only.
 - Do not use to handle molten material.
 - Do not use for aircraft purposes.
 - Do not use to link towed vehicles.
4. Keep hands clear of moving parts.
5. People with pacemakers should consult their physician(s) before use. Electromagnetic fields in close proximity to heart pacemaker could cause pacemaker interference or pacemaker failure. In addition, people with pacemakers should:
 - Avoid operating alone.
 - Properly maintain and inspect to avoid electrical shock.
 - Properly ground power cord. Ground Fault Circuit Interrupter (GFCI) should also be implemented – it prevents sustained electrical shock.



SAVE THESE INSTRUCTIONS.

Grounding Instructions

SAFETY

INSTALLATION

OPERATION

INSPECTION

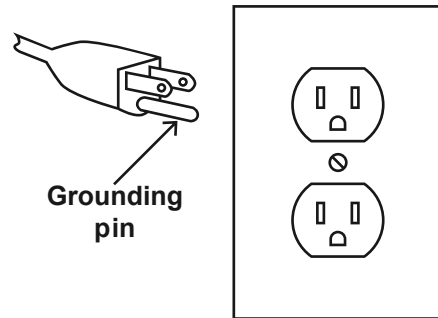


!WARNING

**TO PREVENT ELECTRIC SHOCK AND DEATH FROM INCORRECT GROUNDING WIRE CONNECTION
READ AND FOLLOW THESE INSTRUCTIONS:**

1. In the event of a malfunction or breakdown, grounding provides a path of least resistance for electric current to reduce the risk of electric shock. The Eaze Off is equipped with an electric cord having an equipment-grounding conductor and a grounding plug. The plug must be plugged into a matching outlet that is properly installed and grounded in accordance with all local codes and ordinances.
2. Do not modify the plug provided – if it will not fit the outlet, have the proper outlet installed by a qualified electrician.
3. Improper connection of the equipment-grounding conductor can result in a risk of electric shock. The conductor with insulation having an outer surface that is green with or without yellow stripes is the equipment-grounding conductor. If repair or replacement of the electric cord or plug is necessary, do not connect the equipment-grounding conductor to a live terminal.
4. Check with a qualified electrician or service personnel if the grounding instructions are not completely understood, or if in doubt as to whether the hoist is properly grounded.
5. Use only 3-wire extension cords that have 3-prong grounding plugs and 3-pole receptacles that accept the hoist's plug.

6. Repair or replace damaged or worn cord immediately.



**125 VAc 3-prong plug and Outlet
(for up to 125 VAc and up to 15 A)**

7. This hoist is intended for use on a circuit that has an outlet that looks like the one illustrated above in **125 VAc 3-prong plug and Outlet**. The Eaze Off has a grounding plug that looks like the plug illustrated above in **125 VAc 3-prong plug and Outlet**.
8. The outlet must be properly installed and grounded in accordance with all codes and ordinances.
9. Do not use an adapter to connect this hoist to a different outlet.

EAZE OFF, L.L.C.
Summersville, MO, U.S.A.

Specifications

Model	EAZE OFF™
Electrical Rating	120VAC / 60Hz / 9.85A
Rated Capacity	1300 lb.
Lifting Speed	16.5 FPM
Chain Length	15.5'
Roller Chain	ANSI RSC-40-1-R
Duty Cycle	20%*

*The Eaze Off has a 20% duty cycle. This means that the Eaze Off may only be run up to 2 minutes at a time and then it must be allowed to rest for at least 8 minutes before further use.



Installation Instructions



Read the **ENTIRE IMPORTANT SAFETY INFORMATION** section at the beginning of this manual including all text under subheadings therein before set up or use of this product.

Note: For additional information regarding the parts listed in the following pages, refer to *Parts List and Diagram* on page 10.

IMPORTANT: The supporting structure the Eaze Off is mounted to (including monorail) must be designed to withstand the loads and forces imposed by the Eaze Off for the rated load.

To Mount the Eaze Off:

1. Cut the track off about six inches short of the point at which the trolley hook is to be lowered. Be sure the end of the track is "square".
2. Be sure that not less than 3 1/2 inches of track extends beyond the last track hanger.
3. Bolt another hanger to either side of the Eaze Off frame at its far end.
4. Position Eaze Off at the end of the track so that the top of the chain pivot is flush with the top of the track. Clamp the Eaze Off in this position while you bolt the Eaze Off hanger to the ceiling.
5. Using the two holes in the end of the Eaze Off frame as a guide, drill matching holes in the track and bolt the frame to the track.

NOTE: The Eaze Off is designed to fit the space and bolt holes of a standard mechanical carcass drop.

EAZE OFF, L.L.C.
Summersville, MO, U.S.A.

Operation Instructions



Read the **ENTIRE IMPORTANT SAFETY INFORMATION** section at the beginning of this manual including all text under subheadings therein before set up or use of this product.

WARNING

TO PREVENT SERIOUS INJURY: Operation of the Eaze Off involves more than depressing the Up or DOWN control. The use of vertical hoists is subject to certain hazards that cannot be met by mechanical means, but only by the exercise of intelligence, care, common sense, and experience in anticipating the motions that will occur as a result of operating the controls.

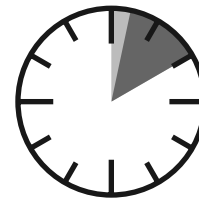
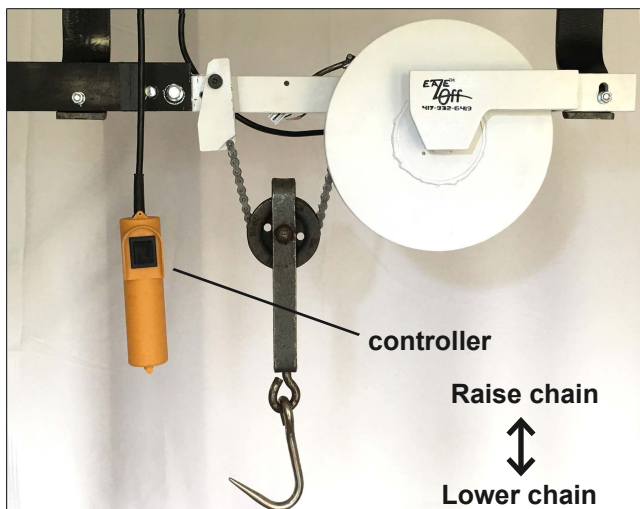
Before Operating Hoist

1. Familiarize yourself with all operating controls of the hoist and with the operation(s) to be performed. Instructions include, the warnings on the hoist, and the safety and operating instructions portion of this manual.
2. **WARNING! TO PREVENT SERIOUS INJURY FROM HOIST FAILURE:**
Do not use damaged equipment. If adjustments or repairs are necessary, or any defects are known, have the problem corrected before further use.
3. Do not operate an Eaze Off with an out-of-order sign.
4. Only a qualified technician should perform maintenance to the Eaze Off.
5. Do not use the chain as a ground for welding. Do not touch a welding electrode to the chain.
6. Designate a work area that is clean and well-lit. The work area must not allow access by children or pets to prevent distraction and injury.
7. Route the power cord along a safe route to reach the work area without creating a tripping hazard or exposing the power cord to possible damage. The power cord must reach the work area with enough extra length to allow free movement while working.
8. There must not be objects nearby that will present a hazard while working.
9. Inspect the Eaze Off as explained in Frequent Inspection on page 8 after installation but before use.
10. The Remote Control unit (controller) must be protected from all moisture and other contaminants!

The controller should be wrapped in a plastic bag with a strong rubber band holding the bag tight to the remote cable keeping out water or other contaminants.

The bag should be removed at the end of the day, the controller wiped down with a damp cloth and allowed to air dry overnight.

Operating Controls



20% Duty cycle
2 minutes in use
followed by at least
8 minutes off

This Hoist has a 20% duty cycle. This means that it may only be run up to 2 minutes at a time and then it must be allowed to rest for at least 8 minutes before further use.

Controller must be kept clean and dry!
(see #10 above)

Applying the Load

1. Do not wrap the chain around the load.
2. Attach the load to the load hook securely by properly rated, suitable means. Load must be attached to prevent accidental disconnection.
3. Properly seat the trolley or other device in the chain.
4. Before moving the load, make sure the chain is not kinked or twisted.
5. Do not operate the Eaze Off unless the Eaze Off unit is centered over the load.
6. Do not pick up a load in excess of the rated 1300 lb. capacity except during authorized tests.

Moving the Load

1. Do not engage in any activity which will divert the operator's attention while operating the hoist.
2. Respond to signals from a designated person only. However, always obey a stop signal, no matter who gives it.
3. Do not lift or lower a load with the Eaze Off until the operator and all other personnel are clear of the load.
4. Each time a load approaching rated capacity is handled, check hoist brake action by lifting the load just clear of supports and continuing only after verifying that the brake system is operating properly.
5. **WARNING! Do not carry any load over any person.**
6. **WARNING! Do not carry personnel on the hook or the load.**
7. Avoid swinging the load or load hook when traveling the hoist.

Parking the Load

1. Never leave a suspended load unattended!
2. Always retract the chain (all the way up) when the Eaze Off is not in use.

EAZE OFF, L.L.C.
Summersville, MO, U.S.A.

Inspection, Testing, and Maintenance



Procedures not specifically explained in this manual must be performed only by a qualified technician.

WARNING

TO PREVENT SERIOUS INJURY FROM ACCIDENTAL OPERATION:

Remove any load, release the operating controls, and detach the power cord before performing any inspection, maintenance, or cleaning procedures.

TO PREVENT SERIOUS INJURY FROM TOOL FAILURE:

Do not use damaged equipment. If abnormal noise or vibration occurs, have the problem corrected before further use.

Frequent Inspection

Perform the procedures in this section **BEFORE INITIAL USE** and **AT LEAST MONTHLY**. Inspection is needed more often for heavily used hoists.

1. Check operating mechanisms for proper operation, proper adjustment, and unusual sounds such as, but not limited to, binding noise of the chain and bearing squeal.
2. Check Eaze Off upper limit device without a load on the hook at the beginning of each shift. Exercise care. Run the load block into its limit device at slow speed.

- a. distortion of the chain such as kinking;
- b. general corrosion;

If such damage is discovered, either remove the Eaze Off from service or arrange for a qualified technician to service it.

3. Frequent Braking System Inspection
 - a. The braking system must automatically stop and hold up to the rated load if the operating controls are released and in the event of complete power failure.
 - b. Braking systems must limit the speed of load during lowering, with or without power, to prevent uncontrolled or rapid lowering.

4. Frequent Chain Inspection

Chain should be visually inspected by the operator or other designated person at the start of each shift. These visual observations should be concerned with discovering gross damage, such as listed below, which may be an immediate hazard:

WARNING! TO PREVENT SERIOUS INJURY FROM EAZE OFF FAILURE: Do not use damaged equipment. If any defect or damage is noted, have the problem corrected before further use.

Periodic (Thorough) Inspection

A qualified technician should perform the procedures in this section **AT LEAST YEARLY**. Inspection is needed more often for heavily used hoists.

1. First, follow all Frequent Inspection procedures. Additionally:
2. Check fasteners for evidence of loosening.
3. Check suspension bolts, shafts, gears, bearings, pins, rollers for evidence of wear, corrosion, cracks, and distortion.
4. Check the motor brake and load brake for evidence of wear.

5. Check electrical apparatus for evidence of pitting or deterioration of controller contacts.
6. Check supporting structure or trolley, if used, for evidence of damage.
7. Check warning label for legibility and replacement.
8. Periodic (Thorough) Chain Inspection
 - a. Check points listed in Frequent Chain Inspection on page 8.
 - b. Check for severely corroded or broken links at end connections.
 - c. Check for severely corroded, cracked, bent, worn, or improperly applied end connections.
9. Check function labels on pendant control(s) for legibility.
10. Check the Eaze Off and rail mounting for evidence of missing parts.

⚠WARNING! TO PREVENT SERIOUS INJURY FROM EAZE OFF FAILURE: Do not use damaged equipment. If any defect or damage is noted, have the problem corrected before further use.

Storage Inspection

-
- | | |
|---|--|
| <ol style="list-style-type: none"> 1. An Eaze Off that has been idle for a period of a month or more, but less than a year, must be inspected before being used according to the Frequent Inspection requirements. | <ol style="list-style-type: none"> 2. An Eaze Off that has been idle for a period of a year or more, must be inspected according to the Periodic Inspection requirements and then tested according to the procedure in the Testing section below before being used. |
|---|--|

Maintenance

-
- | | |
|--|--|
| <ol style="list-style-type: none"> 1. Repair or replacement of Eaze Off components must be performed only by a qualified technician using only identical replacement parts with the same rating. 2. Operating mechanisms, limit switches, control systems, and brakes may require adjustment. 3. Note the following regarding specific components: <ol style="list-style-type: none"> a. Replace damaged or worn bolts and springs. Do not repair them by welding or reshaping. b. Replace or repair all critical parts that are cracked, broken, bent, excessively worn, or missing. c. Replace missing or illegible warning labels. | <ol style="list-style-type: none"> d. Replace pitted or burned electrical contacts as complete sets. e. Keep controller function labels on pendant control stations and master switches legible. 4. Do not repair load-sustaining members by welding. Replace them as needed. 5. After maintenance work is completed and before restoring the Eaze Off to normal operation: <ol style="list-style-type: none"> a. reinstall guards; b. reactivate safety devices; c. remove replaced parts and loose material; d. remove maintenance equipment. |
|--|--|

Testing

-
- | | |
|--|---|
| <ol style="list-style-type: none"> 1. Before use, test repaired Eaze Off that has not been used for a year or more. 2. Check all functions of the Eaze Off, including lifting and lowering, with it unloaded first. 3. After testing in the unloaded state, attach a 200 lb. load and retest to check proper load control and to check brake operation. | <ol style="list-style-type: none"> 4. Test the trip-setting of limit devices under no-load conditions. Test first by hand, if practical, and then under speed. Check that actuating mechanisms are located so that they will trip the switches or limiting devices in sufficient time to stop motion without causing damage to any part of the Eaze Off. |
|--|---|

Eaze Off Parts List (numbered on exploded view below)

SAFETY

INSTALLATION

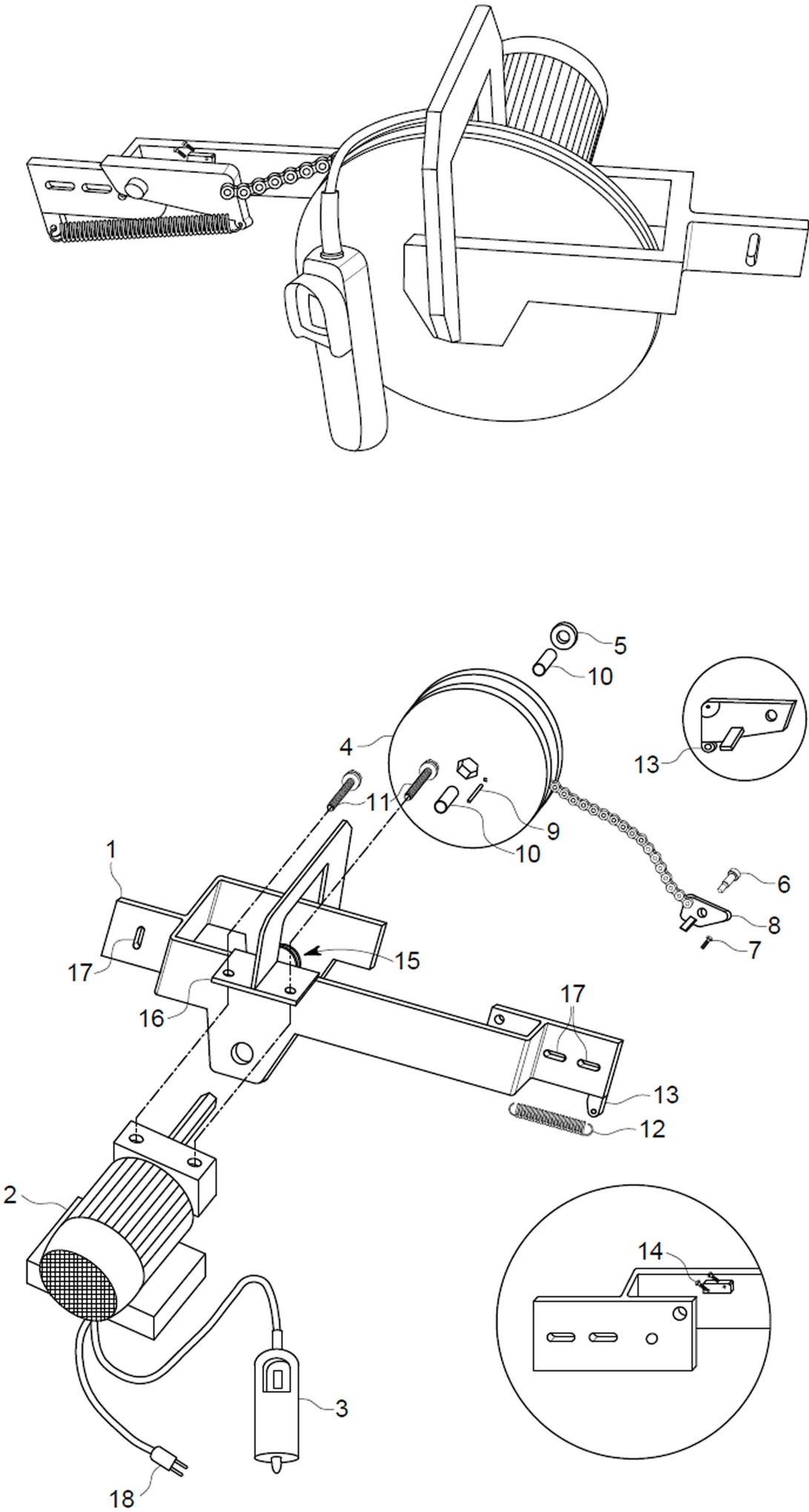
OPERATION

INSPECTION

Part	Description	Qty
1	Frame	1
2	Motor/Gearbox	1
3	Wired Remote Control	1
4	Chain Spool	1
5	Shaft End Bearing	1
6	Shoulder Bolt	1
7	Chain Head Stop Bolt	1
8	Chain Head/Wheel Stop	1
9	Chain Mounting Pin	1
10	Shaft Bushings	2
11	Motor Mounting Bolts	2
12	Torque Reduction Spring	1
13	Spring Mounts	2
14	Microswitch (stop switch)	1
15	Shaft Bearing Mount	1
16	Motor/Gearbox Mount	1
17	Frame Mounting Slots	3

NOTE: Parts may not be interchangeable. When ordering replacement parts, reference your specific model number.

Eaze Off™ Assembled and Exploded View Diagram



PLEASE READ THE FOLLOWING CAREFULLY

THE MANUFACTURER AND/OR DISTRIBUTOR HAS PROVIDED THE PARTS LIST AND ASSEMBLY DIAGRAM IN THIS MANUAL AS A REFERENCE TOOL ONLY. NEITHER THE MANUFACTURER OR DISTRIBUTOR MAKES ANY REPRESENTATION OR WARRANTY OF ANY KIND TO THE BUYER THAT HE OR SHE IS QUALIFIED TO MAKE ANY REPAIRS TO THE PRODUCT, OR THAT HE OR SHE IS QUALIFIED TO REPLACE ANY PARTS OF THE PRODUCT. IN FACT, THE MANUFACTURER AND/OR DISTRIBUTOR EXPRESSLY STATES THAT ALL REPAIRS AND PARTS REPLACEMENTS SHOULD BE UNDERTAKEN BY CERTIFIED AND LICENSED TECHNICIANS, AND NOT BY THE BUYER. THE BUYER ASSUMES ALL RISK AND LIABILITY ARISING OUT OF HIS OR HER REPAIRS TO THE ORIGINAL PRODUCT OR REPLACEMENT PARTS THERETO, OR ARISING OUT OF HIS OR HER INSTALLATION OF REPLACEMENT PARTS THERETO.

Record product's Serial Number Here: _____

Note: If product has no serial number, record month and year of purchase instead.

Note: Some parts are listed and shown for illustration purposes only, and are not available individually as replacement parts.

Limited 6 Month Warranty

EAZE OFF, L.L.C. makes every effort to assure that its products meet high quality and durability standards, and warrants to the original purchaser that this product is free from defects in materials and workmanship for the period of 6 months from the date of purchase. This warranty does not apply to damage due directly or indirectly, to misuse, abuse, negligence or accidents, repairs or alterations outside our facilities, criminal activity, improper installation, normal wear and tear, or to lack of maintenance. We shall in no event be liable for death, injuries to persons or property, or for incidental, contingent, special or consequential damages arising from the use of our product. Some states do not allow the exclusion or limitation of incidental or consequential damages, so the above limitation of exclusion may not apply to you. THIS WARRANTY IS EXPRESSLY IN LIEU OF ALL OTHER WARRANTIES, EXPRESS OR IMPLIED, INCLUDING THE WARRANTIES OF MERCHANTABILITY AND FITNESS.

To take advantage of this warranty, the product or part must be returned to us with transportation charges prepaid. Proof of purchase date and an explanation of the complaint must accompany the merchandise. If our inspection verifies the defect, we will either repair or replace the product at our election or we may elect to refund the purchase price if we cannot readily and quickly provide you with a replacement. We will return repaired products at our expense, but if we determine there is no defect, or that the defect resulted from causes not within the scope of our warranty, then you must bear the cost of returning the product.

This warranty gives you specific legal rights and you may also have other rights which vary from state to state.

EAZE OFF, L.L.C.
Summersville, MO, U.S.A.

For technical questions, email: support@eazeoff.com Item: EAZE OFF™